

## Programmable Multi-Chemistry Fast-Charge Management IC

### Features

- Safe management of fast charge for NiCd, NiMH, or Li-Ion battery packs
- High-frequency switching controller for efficient and simple charger design
- Pre-charge qualification for detecting shorted, damaged, or overheated cells
- Fast-charge termination by peak voltage (PVD), minimum current (Li-Ion), maximum temperature, and maximum charge time
- Selectable top-off mode for achieving maximum capacity in NiMH batteries
- Programmable trickle-charge mode for reviving deeply discharged batteries and for post-charge maintenance
- Built-in battery removal and insertion detection
- Sleep mode for low power consumption

### General Description

The bq2000 is a programmable, monolithic IC for fast-charge management of nickel cadmium (NiCd), nickel metal-hydride (NiMH), or lithium-ion (Li-Ion) batteries in single- or multi-chemistry applications. The bq2000 detects the battery chemistry and proceeds with the optimal charging and termination algorithms. This process eliminates undesirable undercharged or overcharged conditions and allows accurate and safe termination of fast charge.

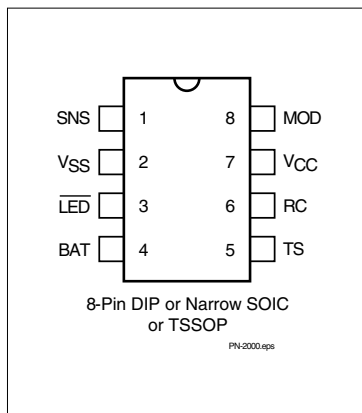
Depending on the chemistry, the bq2000 provides a number of charge termination criteria:

- Peak voltage, PVD (for NiCd and NiMH)
- Minimum charging current (f or Li-Ion)
- Maximum temperature
- Maximum charge time

For safety, the bq2000 inhibits fast charge until the battery voltage and temperature are within user-defined limits. If the battery voltage is below the low-voltage threshold, the bq2000 uses trickle-charge to condition the battery. For NiMH batteries, the bq2000 provides an optional top-off charge to maximize the battery capacity.

The integrated high-frequency comparator allows the bq2000 to be the basis for a complete, high-efficiency power-conversion circuit for both nickel-based and lithium-based chemistries.

### Pin Connections



### Pin Names

|                         |                       |     |                           |
|-------------------------|-----------------------|-----|---------------------------|
| SNS                     | Current-sense input   | TS  | Temperature-sense input   |
| VSS                     | System ground         | RC  | Timer-program input       |
| $\overline{\text{LED}}$ | Charge-status output  | VCC | Supply-voltage input      |
| BAT                     | Battery-voltage input | MOD | Modulation-control output |

# bq2000

## Pin Descriptions

- SNS**      **Current-sense input**
- Enables the bq2000 to sense the battery current via the voltage developed on this pin by an external sense-resistor connected in series with the battery pack
- Vss**      **System Ground**
- LED**      **Charge-status output**
- Open-drain output that indicates the charging status by turning on, turning off, or flashing an external LED
- BAT**      **Battery-voltage input**
- Battery-voltage sense input. A simple resistive divider, across the battery terminals, generates this input.
- TS**      **Temperature-sense input**
- Input for an external battery-temperature monitoring circuit. An external resistive divider network with a negative temperature-coefficient thermistor sets the lower and upper temperature thresholds.

- RC**      **Timer-program input**
- RC input used to program the maximum charge-time, hold-off period, and trickle rate during the charge cycle, and to disable or enable top-off charge
- VCC**      **Supply-voltage input**
- MOD**      **Modulation-control output**
- Push-pull output that controls the charging current to the battery. MOD switches high to enable charging current to flow and low to inhibit charging-current flow.

## Functional Description

The bq2000 is a versatile, multi-chemistry battery-charge control device. See Figure 1 for a functional block diagram and Figure 2 for a state diagram.

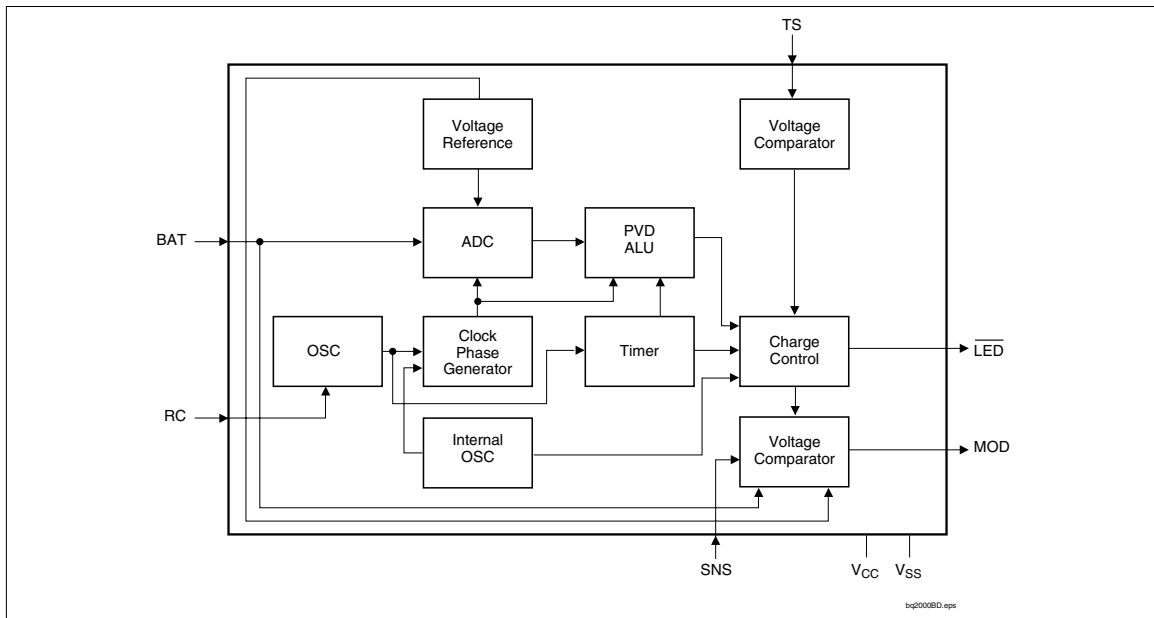


Figure 1. Functional Block Diagram

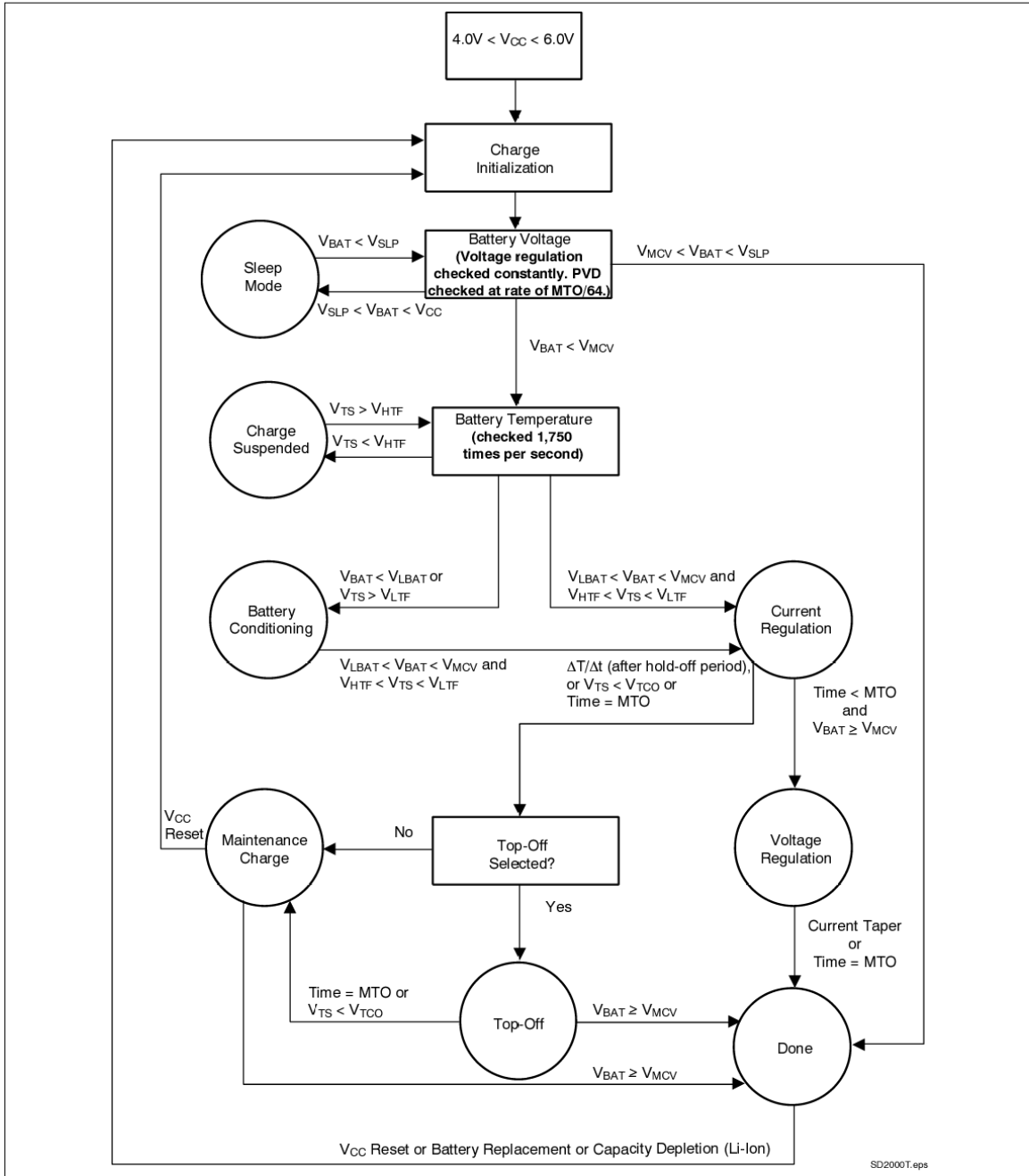


Figure 2. State Diagram

# bq2000

## Initiation and Charge Qualification

The bq2000 initiates a charge cycle when it detects

- Application of power to  $V_{CC}$
- Battery replacement
- Exit from sleep mode
- Capacity depletion (Li-Ion only)

Immediately following initiation, the IC enters a charge-qualification mode. The bq2000 charge qualification is based on battery voltage and temperature. If voltage on pin BAT is less than the internal threshold,  $V_{LBAT}$ , the bq2000 enters the charge-pending state. This condition indicates the possibility of a defective or shorted battery pack. In an attempt to revive a fully depleted pack, the bq2000 enables the MOD pin to trickle-charge at a rate of once every 1.0s. As explained in the section "Top-Off and Pulse-Trickle Charge," the trickle pulse-width is user-selectable and is set by the value of the resistance connected to pin RC.

During this period, the  $\overline{LED}$  pin blinks at a 1Hz rate, indicating the pending status of the charger.

Similarly, the bq2000 suspends fast charge if the battery temperature is outside the  $V_{LTF}$  to  $V_{HTF}$  range. (See Table 4.) For safety reasons, however, it disables the pulse trickle, in the case of a battery over-temperature condition (i.e.,  $V_{TS} < V_{HTF}$ ). Fast charge begins when the battery temperature and voltage are valid.

## Battery Chemistry

The bq2000 detects the battery chemistry by monitoring the battery-voltage profile during the initial stage of the fast charge. If the voltage on BAT input rises to the internal  $V_{MCV}$  reference, the IC assumes a Li-Ion battery. Otherwise the bq2000 assumes NiCd/NiMH chemistry.

As shown in Figure 6, a resistor voltage-divider between the battery pack's positive terminal and  $V_{SS}$  scales the battery voltage measured at pin BAT. In a mixed-chemistry design, a common voltage-divider is used as long as the maximum charge voltage of the nickel-based pack is below that of the Li-Ion pack. Otherwise, different scaling is required.

Once the chemistry is determined, the bq2000 completes the fast charge with the appropriate charge algorithm (Table 1). The user can customize the algorithm by programming the device using an external resistor and a capacitor connected to the RC pin, as discussed in later sections.

## NiCd and NiMH Batteries

Following qualification, the bq2000 fast-charges NiCd or NiMH batteries using a current-limited algorithm. During the fast-charge period, it monitors charge time, temperature, and voltage for adherence to the termination criteria. This monitoring is further explained in later sections. Following fast charge, the battery is topped off, if top-off is selected. The charging cycle ends with a trickle maintenance-charge that continues as long as the voltage on pin BAT remains below  $V_{MCV}$ .

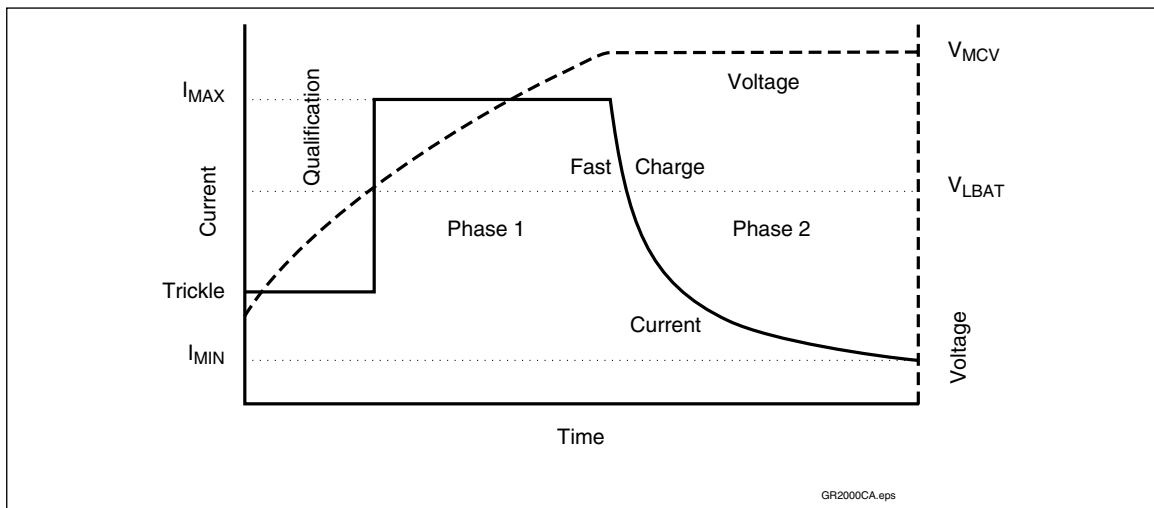


Figure 3. Lithium-Ion Charge Algorithm

Table 1. Charge Algorithm

| Battery Chemistry | Charge Algorithm  |
|-------------------|---|
| NiCd or NiMH      | <ol style="list-style-type: none"> <li>1. Charge qualification</li> <li>2. Trickle charge, if required</li> <li>3. Fast charge (constant current)</li> <li>4. Charge termination (peak voltage, maximum charge time)</li> <li>5. Top-off (optional)</li> <li>6. Trickle charge</li> </ol> |
| Li-Ion            | <ol style="list-style-type: none"> <li>1. Charge qualification</li> <li>2. Trickle charge, if required</li> <li>3. Two-step fast charge (constant current followed by constant voltage)</li> <li>4. Charge termination (minimum current, maximum charge time)</li> </ol>                  |

### Lithium-Ion Batteries

The bq2000 uses a two-phase fast-charge algorithm for Li-Ion batteries (Figure 3). In phase one, the bq2000 regulates constant current until  $V_{BAT}$  rises to  $V_{MCV}$ . The bq2000 then moves to phase two, regulates the battery with constant voltage of  $V_{MCV}$ , and terminates when the charging current falls below the  $I_{MIN}$  threshold. A new charge cycle is started if the cell voltage falls below the  $V_{RCH}$  threshold.

During the current-regulation phase, the bq2000 monitors charge time, battery temperature, and battery voltage for adherence to the termination criteria. During the final constant-voltage stage, in addition to the charge time and temperature, it monitors the charge current as a termination criterion. There is no post-charge maintenance mode for Li-Ion batteries.

### Charge Termination

#### Maximum Charge Time (NiCd, NiMH, and Li-Ion)

The bq2000 sets the maximum charge-time through pin RC. With the proper selection of external resistor and capacitor, various time-out values may be achieved. Figure 4 shows a typical connection.

The following equation shows the relationship between the  $R_{MTO}$  and  $C_{MTO}$  values and the maximum charge time (MTO) for the bq2000:

$$MTO = R_{MTO} * C_{MTO} * 35,988$$

MTO is measured in minutes,  $R_{MTO}$  in ohms, and  $C_{MTO}$  in farads. (**Note:**  $R_{MTO}$  and  $C_{MTO}$  values also determine other features of the device. See Tables 2 and 3 for details.)

For Li-Ion cells, the bq2000 resets the MTO when the battery reaches the constant-voltage phase of the

charge. This feature provides the additional charge time required for Li-Ion cells.

#### Maximum Temperature (NiCd, NiMH, Li-Ion)

A negative-coefficient thermistor, referenced to  $V_{SS}$  and placed in thermal contact with the battery, may be used as a temperature-sensing device. Figure 5 shows a typical temperature-sensing circuit.

During fast charge, the bq2000 compares the battery temperature to an internal high-temperature cutoff threshold,  $V_{TCO}$ . As shown in Table 4, high-temperature termination occurs when voltage at pin TS is less than this threshold.

#### Peak Voltage (NiCd, NiMH)

The bq2000 uses a peak-voltage detection (PVD) scheme to terminate fast charge for NiCd and NiMH batteries. The bq2000 continuously samples the voltage on the BAT pin, representing the battery voltage, and triggers the peak detection feature if this value falls below the maximum sampled value by as much as 3.8mV (PVD). As shown in Figure 6, a resistor voltage-divider between the battery pack's positive terminal and  $V_{SS}$  scales the battery voltage measured at pin BAT.

For Li-Ion battery packs, the resistor values  $R_{B1}$  and  $R_{B2}$  are calculated by the following equation:

$$\frac{R_{B1}}{R_{B2}} = \left( N * \frac{V_{CELL}}{V_{MCV}} \right) - 1$$

where N is the number of cells in series and  $V_{CELL}$  is the manufacturer-specified charging voltage. The end-to-end input impedance of this resistive divider network should be at least 200k $\Omega$  and no more than 1M $\Omega$ .

A NiCd or NiMH battery pack consisting of N series-cells may benefit by the selection of the  $R_{B1}$  value to be N-1 times larger than the  $R_{B2}$  value.

In a mixed-chemistry design, a common voltage-divider is used as long as the maximum charge voltage of the

# bq2000

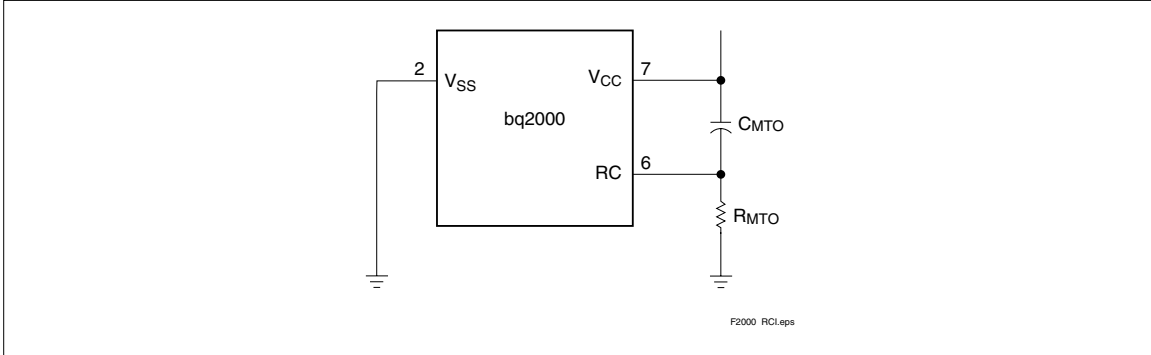


Figure 4. Typical Connection for the RC Input

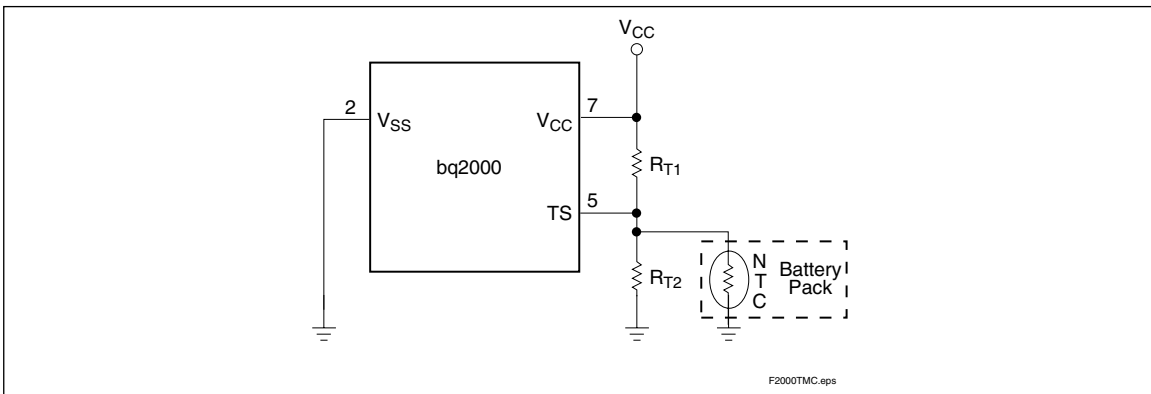


Figure 5. Temperature Monitoring Configuration

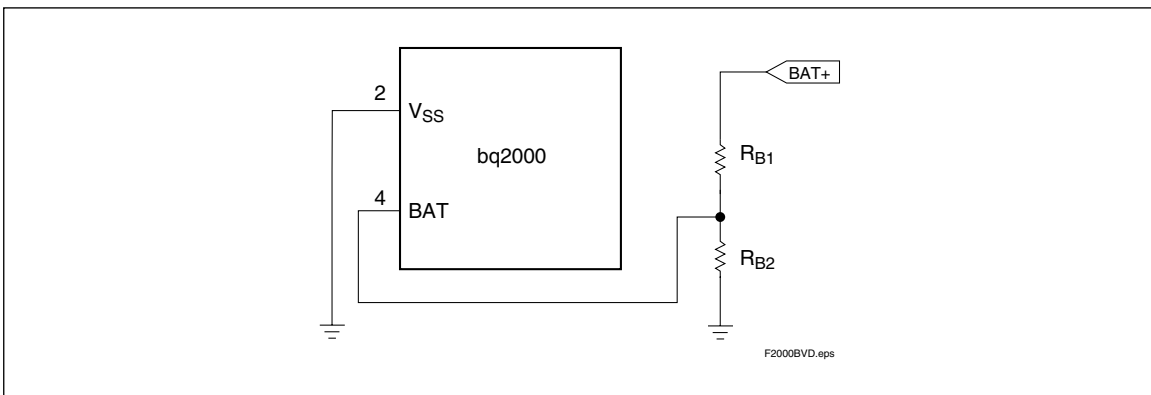


Figure 6. Battery Voltage Divider

nickel-based pack is below that of the Li-Ion pack. Otherwise, different scaling is required.

**Minimum Current (Li-Ion Only)**

The bq2000 monitors the charging current during the voltage-regulation phase of Li-Ion batteries. Fast charge is terminated when the current is tapered off to 14% of the maximum charging current.

**Initial Hold-Off Period**

The values of the external resistor and capacitor connected to pin RC set the initial hold-off period. During this period, the bq2000 avoids early termination due to an initial rise in the battery voltage by disabling the peak voltage-detection feature. This period is fixed at the programmed value of the maximum charge time divided by 32.

$$\text{hold-off period} = \frac{\text{maximum time - out}}{32}$$

**Top-Off and Pulse-Trickle Charge**

An optional top-off charge is available for NiCd or NiMH batteries. Top-off may be desirable on batteries that have a tendency to terminate charge before reaching full capacity. To enable this option, the capacitance value of C<sub>MTO</sub> connected to pin RC (Figure 4) should be greater than 0.13μF, and the value of the resistor connected to this pin should be less than 250kΩ. To disable top-off, the capacitance value should be less than 0.07μF. The tolerance of the capacitor needs to be taken into account in component selection.

Once enabled, the top-off is performed over a period equal to the maximum charge time at a rate of 1/16 that of fast charge.

Following top-off, the bq2000 trickle-charges the battery by enabling the MOD to charge at a rate of once every 1.0 second. The trickle pulse-width is user-selectable and is set by the value of the resistor R<sub>MTO</sub>, connected to pin RC. Figure 7 shows the relationship between the trickle pulse-width and the value of R<sub>MTO</sub>. The typical tolerance of the pulsewidth below 150kΩ is ±10%.

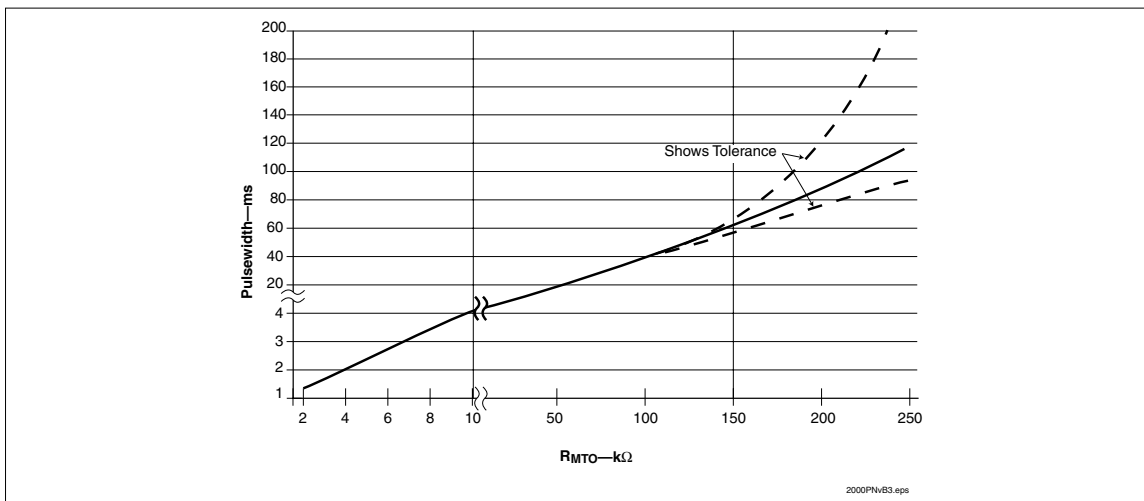
During top-off and trickle-charge, the bq2000 monitors battery voltage and temperature. These charging functions are suspended if the battery voltage rises above the maximum cell voltage (V<sub>MCV</sub>) or if the temperature exceeds the high-temperature fault threshold (V<sub>HTF</sub>).

**Charge Current Control**

The bq2000 controls the charge current through the MOD output pin. The current-control circuit supports a switching-current regulator with frequencies up to 500kHz. The bq2000 monitors charge current at the SNS input by the voltage drop across a sense-resistor, R<sub>SNS</sub>, in series with the battery pack. See Figure 9 for a typical current-sensing circuit. R<sub>SNS</sub> is sized to provide the desired fast-charge current (I<sub>MAX</sub>):

$$I_{MAX} = \frac{0.05}{R_{SNS}}$$

If the voltage at the SNS pin is greater than V<sub>SNSHI</sub> or less than V<sub>SNSLO</sub>, the bq2000 switches the MOD output high to pass charge current to the battery. When the



**Figure 7. Relationship Between Trickle Pulse-Width and Value of R<sub>MTO</sub>**

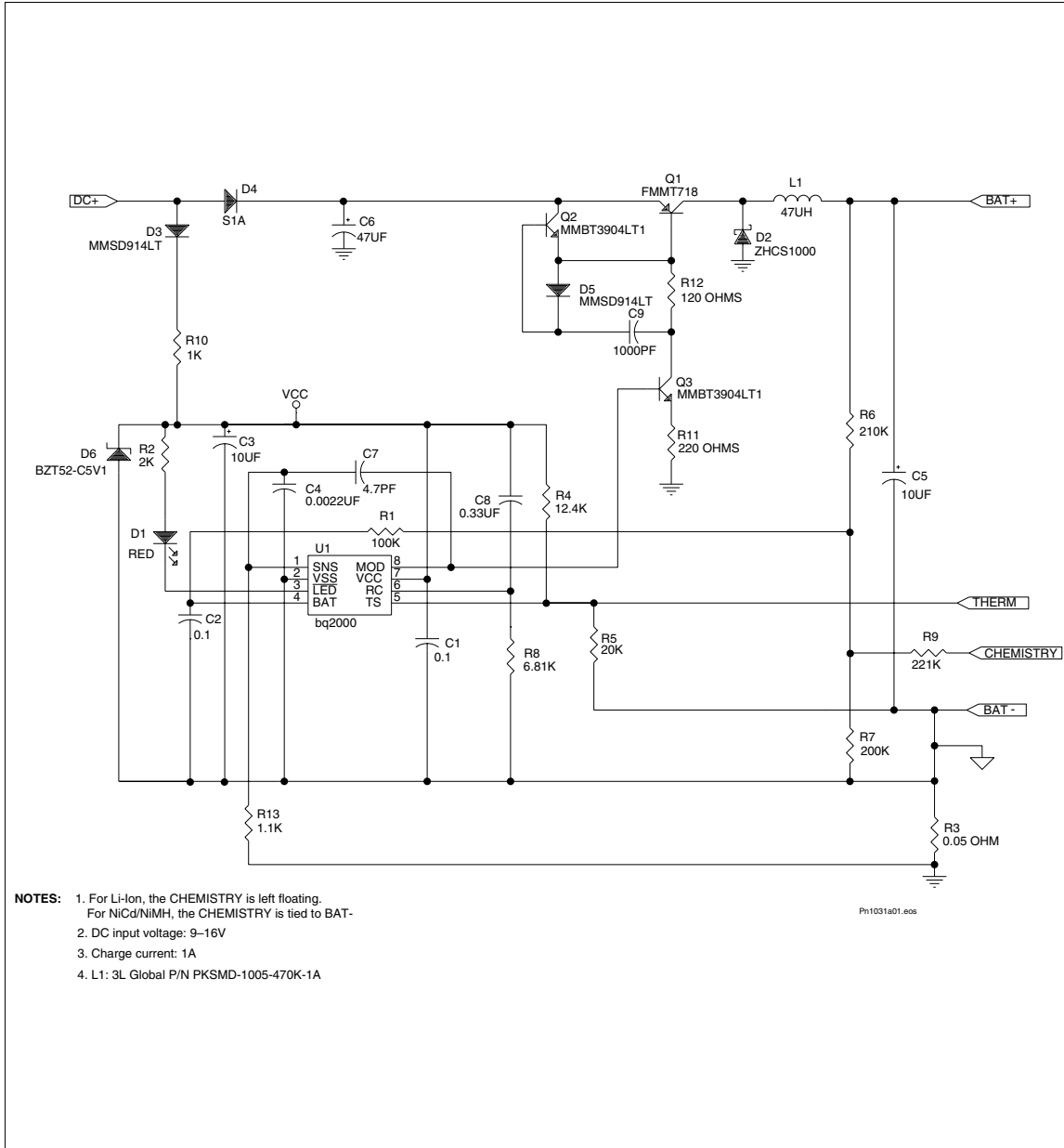


Figure 8. Single-Cell Li-Ion, Three-Cell NiCd/NiMH 1A Charger



**Table 2. Summary of NiCd or NiMH Charging Characteristics**

| Parameter   | Value*                       |
|---|------------------------------|
| Maximum cell voltage ( $V_{MCV}$ )                      | 2V                           |
| Minimum pre-charge qualification voltage ( $V_{LBAT}$ ) | 950mV                        |
| High-temperature cutoff voltage ( $V_{TCO}$ )           | $0.225 * V_{CC}$             |
| High-temperature fault voltage ( $V_{HTF}$ )            | $0.25 * V_{CC}$              |
| Low-temperature fault voltage ( $V_{LTF}$ )             | $0.5 * V_{CC}$               |
| bq2000 fast-charge maximum time out (MTO)               | $R_{MTO} * C_{MTO} * 35,988$ |
| Fast-charge charging current ( $I_{MAX}$ )              | $0.05/R_{SNS}$               |
| Hold-off period   | MTO/32                       |
| Top-off charging current (optional)                     | $I_{MAX}/16$                 |
| Top-off period (optional)                               | MTO                          |
| Trickle-charge frequency                                | 1Hz                          |
| Trickle-charge pulse-width                              | See Figure 7                 |

\*Please refer to DC Thresholds Specification for details.

SNS voltage is less than  $V_{SNSLO}$  or greater than  $V_{SNSHI}$ , the bq2000 switches the MOD output low to shut off charging current to the battery. Figure 8 shows a typical multi-chemistry charge circuit.

### Temperature Monitoring

The bq2000 measures the temperature by the voltage at the TS pin. This voltage is typically generated by a neg-

ative-temperature-coefficient thermistor. The bq2000 compares this voltage against its internal threshold voltages to determine if charging is safe. These thresholds are the following:

- High-temperature cutoff voltage:  $V_{TCO} = 0.225 * V_{CC}$   
This voltage corresponds to the maximum temperature (TCO) at which fast charging is allowed. The bq2000 terminates fast charge if the voltage on pin TS falls below  $V_{TCO}$ .

**Table 3. Summary of Li-Ion Charging Characteristics**

| Parameter   | Value*                           |
|---|----------------------------------|
| Maximum cell voltage ( $V_{MCV}$ )                      | 2V                               |
| Minimum pre-charge qualification voltage ( $V_{LBAT}$ ) | 950mV                            |
| High-temperature cutoff voltage ( $V_{TCO}$ )           | $0.225 * V_{CC}$                 |
| High-temperature fault voltage ( $V_{HTF}$ )            | $0.25 * V_{CC}$                  |
| Low-temperature fault voltage ( $V_{LTF}$ )             | $0.5 * V_{CC}$                   |
| bq2000 fast-charge maximum time-out (MTO)               | $2 * R_{MTO} * C_{MTO} * 35,988$ |
| Fast-charge charging current ( $I_{MAX}$ )              | $0.05/R_{SNS}$                   |
| Hold-off period   | MTO/32                           |
| Minimum current (for fast-charge termination)           | $I_{MAX}/7$                      |
| Trickle-charge frequency (before fast charge only)      | 1Hz                              |
| Trickle-charge pulse-width (before fast charge only)    | See Figure 7                     |

\*Please refer to DC Thresholds Specification for details.

# bq2000

**Table 4. Temperature-Monitoring Conditions**

| Temperature                  | Condition  | Action   |
|------------------------------|--|--|
| $V_{TS} > V_{LTF}$           | Cold battery—checked at all times  | Suspends fast charge or top-off and timer<br>Allows trickle charge—LED flashes at 1Hz rate during pre-charge qualification and fast charge |
| $V_{HTF} < V_{TS} < V_{LTF}$ | Optimal operating range  | Allows charging  |
| $V_{TS} < V_{HTF}$           | Hot battery—checked during charge qualification and top-off and trickle-charge | Suspends fast-charge initiation, does not allow trickle charge—LED flashes at 1Hz rate during pre-charge qualification and fast charge     |
| $V_{TS} < V_{TCO}$           | Battery exceeding maximum allowable temperature—checked at all times           | Terminates fast charge or top-off  |

- High-temperature fault voltage:  $V_{HTF} = 0.25 * V_{CC}$  This voltage corresponds to the temperature (HTF) at which fast charging is allowed to begin.
- Low-temperature fault voltage:  $V_{LTF} = 0.5 * V_{CC}$  This voltage corresponds to the minimum temperature (LTF) at which fast charging or top-off is allowed. If the voltage on pin TS rises above  $V_{LTF}$ , the bq2000 suspends fast charge or top-off but does not terminate charge. When the voltage falls back below  $V_{LTF}$ , fast charge or top-off resumes from the point where suspended. Trickle-charge is allowed during this condition.

Table 4 summarizes these various conditions.

## Charge Status Display

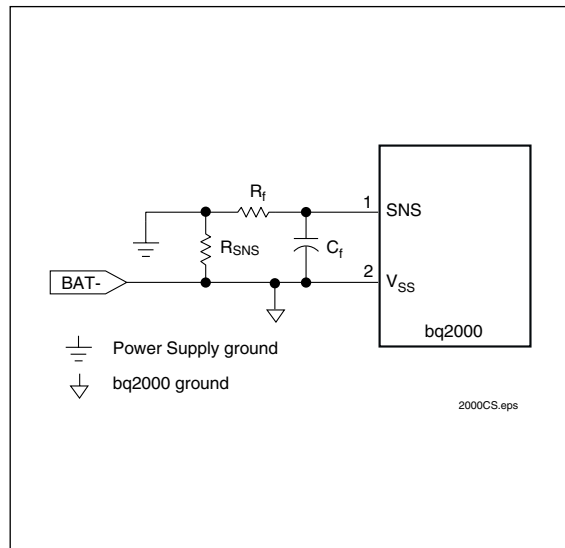
The charge status is indicated by open-drain output LED. Table 5 summarizes the display output of the bq2000.

**Table 5. Charge Status Display**

| Charge Action State                                     | LED Status     |
|---|----------------|
| Battery absent  | High impedance |
| Pre-charge qualification                                | 1Hz flash      |
| Trickle charge (before fast charge)                     | 1Hz flash      |
| Fast charging   | Low            |
| Top-off or trickle (after fast charge, NiCd, NiMH only) | High impedance |
| Charge complete   | High impedance |
| Sleep mode  | High impedance |
| Charge suspended ( $V_{TS} > V_{LTF}$ )                 | 1Hz flash      |

## Sleep Mode

The bq2000 features a sleep mode for low power consumption. This mode is enabled when the voltage at pin BAT is above the low-power-mode threshold,  $V_{SLP}$ . During sleep mode, the bq2000 shuts down all internal circuits, drives the LED output to high-impedance state, and drives pin MOD to low. Restoring BAT below the  $V_{MCV}$  threshold initiates the IC and starts a fast-charge cycle.



**Figure 9. Current-Sensing Circuit**

## Absolute Maximum Ratings

| Symbol              | Parameter  | Minimum | Maximum | Unit | Notes    |
|---------------------|--|---------|---------|------|----------|
| V <sub>CC</sub>     | V <sub>CC</sub> relative to V <sub>SS</sub>  | -0.3    | +7.0    | V    |          |
| V <sub>T</sub>      | DC voltage applied on any pin, excluding V <sub>CC</sub> relative to V <sub>SS</sub> | -0.3    | +7.0    | V    |          |
| T <sub>OPR</sub>    | Operating ambient temperature  | -20     | +70     | °C   |          |
| T <sub>STG</sub>    | Storage temperature  | -40     | +125    | °C   |          |
| T <sub>SOLDER</sub> | Soldering temperature  | -       | +260    | °C   | 10s max. |

**Note:** Permanent device damage may occur if Absolute Maximum Ratings are exceeded. Functional operation should be limited to the Recommended DC Operating Conditions detailed in this data sheet. Exposure to conditions beyond the operational limits for extended periods of time may affect device reliability.

## DC Thresholds (T<sub>A</sub> = T<sub>OPR</sub>; V<sub>CC</sub> = 5V ±20% unless otherwise specified)

| Symbol             | Parameter                                   | Rating                  | Tolerance | Unit | Notes  |
|--------------------|---|-------------------------|-----------|------|--|
| V <sub>TCO</sub>   | Temperature cutoff                          | 0.225 * V <sub>CC</sub> | ±5%       | V    | Voltage at pin TS  |
| V <sub>HTF</sub>   | High-temperature fault                      | 0.25 * V <sub>CC</sub>  | ±5%       | V    | Voltage at pin TS  |
| V <sub>LTF</sub>   | Low-temperature fault                       | 0.5 * V <sub>CC</sub>   | ±5%       | V    | Voltage at pin TS  |
| V <sub>MCV</sub>   | Maximum cell voltage                        | 2.00                    | ±0.75%    | V    | V <sub>BAT</sub> > V <sub>MCV</sub> inhibits fast charge |
| V <sub>LBAT</sub>  | Minimum cell voltage                        | 950                     | ±5%       | mV   | Voltage at pin BAT                                       |
| PVD                | BAT input change for PVD detection          | 3.8                     | ±20%      | mV   |  |
| V <sub>SNSHI</sub> | High threshold at SNS, resulting in MOD-low | 50                      | ±10       | mV   | Voltage at pin SNS                                       |
| V <sub>SNSLO</sub> | Low threshold at SNS, resulting in MOD-high | -50                     | ±10       | mV   | Voltage at pin SNS                                       |
| V <sub>SLP</sub>   | Sleep-mode input threshold                  | V <sub>CC</sub> - 1     | ±0.5      | V    | Applied to pin BAT                                       |
| V <sub>RCH</sub>   | Recharge threshold                          | V <sub>MCV</sub> - 0.1  | ±0.02     | V    | At pin BAT   |

## bq2000

### Recommended DC Operating Conditions (TA = TOPR)

| Symbol           | Condition                      | Minimum               | Typical | Maximum         | Unit | Notes                               |
|------------------|--------------------------------|-----------------------|---------|-----------------|------|-------------------------------------|
| V <sub>CC</sub>  | Supply voltage                 | 4.0                   | 5.0     | 6.0             | V    |                                     |
| I <sub>CC</sub>  | Supply current                 | -                     | 0.5     | 1               | mA   | Exclusive of external loads         |
| I <sub>CCS</sub> | Sleep current                  | -                     | -       | 5               | μA   | V <sub>BAT</sub> = V <sub>SLP</sub> |
| V <sub>TS</sub>  | Thermistor input               | 0.5                   | -       | V <sub>CC</sub> | V    | V <sub>TS</sub> < 0.5V prohibited   |
| V <sub>OH</sub>  | Output high                    | V <sub>CC</sub> - 0.6 | -       | -               | V    | MOD, I <sub>OH</sub> = 10mA         |
| V <sub>OL</sub>  | Output low                     | -                     | -       | 0.2             | V    | MOD, LED, I <sub>OL</sub> = 10mA    |
| I <sub>OZ</sub>  | High-impedance leakage current | -                     | -       | 5               | μA   | LED                                 |
| I <sub>snk</sub> | Sink current                   | -                     | -       | 20              | mA   | MOD, LED                            |
| R <sub>MTO</sub> | Charge timer resistor          | 2                     | -       | 250             | kΩ   |                                     |
| C <sub>MTO</sub> | Charge timer capacitor         | 0.001                 | -       | 1.0             | μF   |                                     |

**Note:** All voltages relative to V<sub>SS</sub> except as noted.

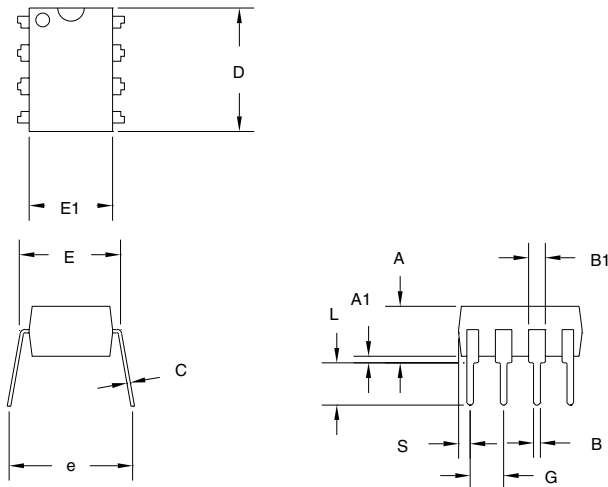
### Impedance

| Symbol           | Parameter               | Minimum | Typical | Maximum | Unit |
|------------------|-------------------------|---------|---------|---------|------|
| R <sub>BAT</sub> | Battery input impedance | 10      | -       | -       | MΩ   |
| R <sub>TS</sub>  | TS input impedance      | 10      | -       | -       | MΩ   |
| R <sub>SNS</sub> | SNS input impedance     | 10      | -       | -       | MΩ   |

### Timing (TA = TOPR; V<sub>CC</sub> = 5V ±20% unless otherwise specified)

| Symbol            | Parameter               | Minimum | Typical | Maximum | Unit |
|-------------------|-------------------------|---------|---------|---------|------|
| d <sub>MTO</sub>  | MTO time-base variation | -5      | -       | +5      | %    |
| f <sub>TRKL</sub> | Pulse-trickle frequency | 0.9     | 1.0     | 1.1     | Hz   |

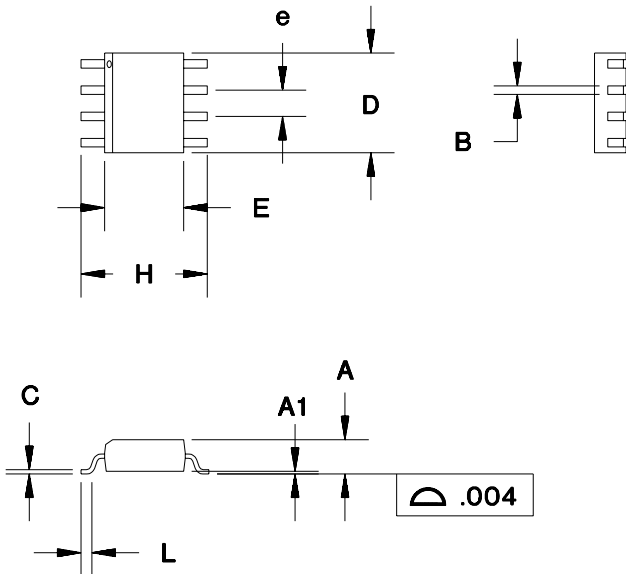
**8-Pin DIP (PN)**



**8-Pin PN (0.300" DIP)**

| Dimension | Inches |       | Millimeters |      |
|-----------|--------|-------|-------------|------|
|           | Min.   | Max.  | Min.        | Max. |
| A         | 0.160  | 0.180 | 4.06        | 4.57 |
| A1        | 0.015  | 0.040 | 0.38        | 1.02 |
| B         | 0.015  | 0.022 | 0.38        | 0.56 |
| B1        | 0.055  | 0.065 | 1.40        | 1.65 |
| C         | 0.008  | 0.013 | 0.20        | 0.33 |
| D         | 0.350  | 0.380 | 8.89        | 9.65 |
| E         | 0.300  | 0.325 | 7.62        | 8.26 |
| E1        | 0.230  | 0.280 | 5.84        | 7.11 |
| e         | 0.300  | 0.370 | 7.62        | 9.40 |
| G         | 0.090  | 0.110 | 2.29        | 2.79 |
| L         | 0.115  | 0.150 | 2.92        | 3.81 |
| S         | 0.020  | 0.040 | 0.51        | 1.02 |

**8-Pin SOIC Narrow (SN)**

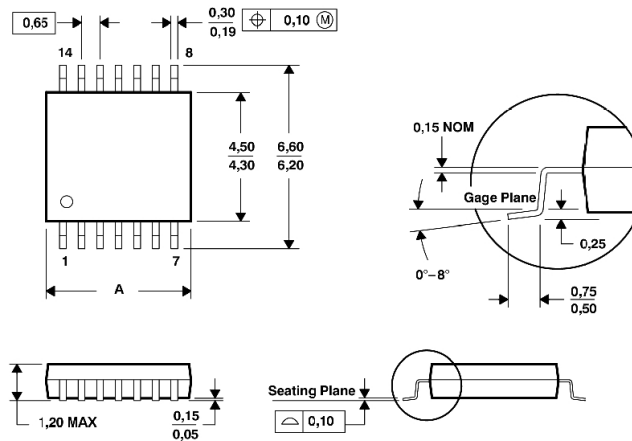


**8-Pin SN (0.150" SOIC)**

| Dimension | Inches |       | Millimeters |      |
|-----------|--------|-------|-------------|------|
|           | Min.   | Max.  | Min.        | Max. |
| A         | 0.060  | 0.070 | 1.52        | 1.78 |
| A1        | 0.004  | 0.010 | 0.10        | 0.25 |
| B         | 0.013  | 0.020 | 0.33        | 0.51 |
| C         | 0.007  | 0.010 | 0.18        | 0.25 |
| D         | 0.185  | 0.200 | 4.70        | 5.08 |
| E         | 0.150  | 0.160 | 3.81        | 4.06 |
| e         | 0.045  | 0.055 | 1.14        | 1.40 |
| H         | 0.225  | 0.245 | 5.72        | 6.22 |
| L         | 0.015  | 0.035 | 0.38        | 0.89 |

# bq2000

## 8-Pin TSSOP (PW)



| DIM   | PINS ** |      |      |      |      |      |
|-------|---------|------|------|------|------|------|
|       | 8       | 14   | 16   | 20   | 24   | 28   |
| A MAX | 3,10    | 5,10 | 5,10 | 6,60 | 7,90 | 9,80 |
| A MIN | 2,90    | 4,90 | 4,90 | 6,40 | 7,70 | 9,60 |

4040064/F 01/97

- NOTES: A. All linear dimensions are in millimeters.  
 B. This drawing is subject to change without notice.  
 C. Body dimensions do not include mold flash or protrusion not to exceed 0,15.  
 D. Falls within JEDEC MO-153

## Data Sheet Revision History

| Change No. | Page No. | Description                  | Nature of Change   |
|------------|----------|------------------------------|--|
| 1          | 4        | MTO equation                 | Was: $MTO = R * C * 71,976$<br>Is: $MTO = R_{MTO} * C_{MTO} * 35,988$  |
| 1          | 6        | Trickle-pulse width equation | Replaced equation with Figure 6  |
| 1          | 7        | Figure 7                     | Schematic updated  |
| 1          | 10       | $V_{TCO}, V_{HTE}, V_{LTF}$  | Tolerance updated  |
| 1          | 11       | $R_{MTO}, C_{MTO}$           | Values updated   |
| 2          | 8        | $V_{LBAT}$                   | Corrected values in Tables 2 and 3   |
| 3          | 1, 13    | Package option               | Added TSSOP  |
| 3          | 3        | State diagram                | Added  |
| 3          | 8        | Schematic updated            |  |
| 3          | 11       | $V_{TSO}, V_{HTE}, V_{LTF}$  | Tolerance updated  |
| 3          | 7        | Top-off charge               | Updated requirement for enabling top-off   |
| 4          | 7        | Figure 7                     | Updated tolerance on the curve   |
| 4          | 12       | $V_{OH}$                     | Was: Minimum $V_{OH} = V_{CC} - 0.2$ at $I_{OH} = 20mA$<br>Is: Minimum $V_{OH} = V_{CC} - 0.6$ at $I_{OH} = 10mA$              |
| 4          | 12       | $V_{OL}$                     | Was: $I_{OH} = 20mA$<br>Is: $I_{OH} = 10mA$  |
| 5          | 3        | Figure 2                     | Battery voltage detail was: (checked at all times)<br>Is: Voltage regulation checked constantly PVD checked at rate of MTO/64. |
| 5          | 3        | Figure 2                     | Battery temperature detail was: (checked at all times)<br>Is: (checked 1,750 times per second)                                 |
| 5          | 14       | Change package               | Was: 8-Pin TSSOP ~TS Package Suffix<br>Is: 8-Pin PSOP  |
| 5          | 15       | Change ordering information  | Was: TS = 8-pin TSSOP<br>Is: PW = 8-pin TSSOP  |
| 6          | 7        | Change value                 | Was: 15k $\Omega$<br>Is: 250k $\Omega$   |

**Note:** Change 1 = Jan. 1999 B changes to Final from Sept. 1998 Preliminary data sheet.

Change 2 = Mar. 1999 C changes from Jan. 1999 B.

Change 3 = May 1999 D changes from Mar. 1999 C.

Change 4 = February 2000 E changes from May 1999 D.

Change 5 = February 2001 F changes from February 2000 E.

Change 6 = January 2008 G changes from February 2001 F.

## bq2000

---

### Ordering Information

**bq2000**

**Package Option:**

PN = 8-pin narrow plastic DIP

SN = 8-pin narrow SOIC

PW = 8-pin TSSOP

**Device:**

bq2000 Multi-Chemistry Fast-Charge IC with Peak Voltage Detection



**PACKAGING INFORMATION**

| Orderable Device | Status <sup>(1)</sup> | Package Type | Package Drawing | Pins | Package Qty | Eco Plan <sup>(2)</sup> | Lead/Ball Finish | MSL Peak Temp <sup>(3)</sup> |
|------------------|-----------------------|--------------|-----------------|------|-------------|-------------------------|------------------|------------------------------|
| BQ2000PN-B5      | ACTIVE                | PDIP         | P               | 8    | 50          | Pb-Free (RoHS)          | CU NIPDAU        | N / A for Pkg Type           |
| BQ2000PW         | ACTIVE                | TSSOP        | PW              | 8    | 150         | Green (RoHS & no Sb/Br) | CU NIPDAU        | Level-2-260C-1 YEAR          |
| BQ2000PWG4       | ACTIVE                | TSSOP        | PW              | 8    | 150         | Green (RoHS & no Sb/Br) | CU NIPDAU        | Level-2-260C-1 YEAR          |
| BQ2000PWR        | ACTIVE                | TSSOP        | PW              | 8    | 2000        | Green (RoHS & no Sb/Br) | CU NIPDAU        | Level-2-260C-1 YEAR          |
| BQ2000PWRG4      | ACTIVE                | TSSOP        | PW              | 8    | 2000        | Green (RoHS & no Sb/Br) | CU NIPDAU        | Level-2-260C-1 YEAR          |
| BQ2000SN-B5      | ACTIVE                | SOIC         | D               | 8    | 75          | Green (RoHS & no Sb/Br) | CU NIPDAU        | Level-1-260C-UNLIM           |
| BQ2000SN-B5G4    | ACTIVE                | SOIC         | D               | 8    | 75          | Green (RoHS & no Sb/Br) | CU NIPDAU        | Level-1-260C-UNLIM           |
| BQ2000SN-B5TR    | ACTIVE                | SOIC         | D               | 8    | 2500        | Green (RoHS & no Sb/Br) | CU NIPDAU        | Level-1-260C-UNLIM           |
| BQ2000SN-B5TRG4  | ACTIVE                | SOIC         | D               | 8    | 2500        | Green (RoHS & no Sb/Br) | CU NIPDAU        | Level-1-260C-UNLIM           |

<sup>(1)</sup> The marketing status values are defined as follows:

**ACTIVE:** Product device recommended for new designs.

**LIFEBUY:** TI has announced that the device will be discontinued, and a lifetime-buy period is in effect.

**NRND:** Not recommended for new designs. Device is in production to support existing customers, but TI does not recommend using this part in a new design.

**PREVIEW:** Device has been announced but is not in production. Samples may or may not be available.

**OBsolete:** TI has discontinued the production of the device.

<sup>(2)</sup> Eco Plan - The planned eco-friendly classification: Pb-Free (RoHS), Pb-Free (RoHS Exempt), or Green (RoHS & no Sb/Br) - please check <http://www.ti.com/productcontent> for the latest availability information and additional product content details.

**TBD:** The Pb-Free/Green conversion plan has not been defined.

**Pb-Free (RoHS):** TI's terms "Lead-Free" or "Pb-Free" mean semiconductor products that are compatible with the current RoHS requirements for all 6 substances, including the requirement that lead not exceed 0.1% by weight in homogeneous materials. Where designed to be soldered at high temperatures, TI Pb-Free products are suitable for use in specified lead-free processes.

**Pb-Free (RoHS Exempt):** This component has a RoHS exemption for either 1) lead-based flip-chip solder bumps used between the die and package, or 2) lead-based die adhesive used between the die and leadframe. The component is otherwise considered Pb-Free (RoHS compatible) as defined above.

**Green (RoHS & no Sb/Br):** TI defines "Green" to mean Pb-Free (RoHS compatible), and free of Bromine (Br) and Antimony (Sb) based flame retardants (Br or Sb do not exceed 0.1% by weight in homogeneous material)

<sup>(3)</sup> MSL, Peak Temp. -- The Moisture Sensitivity Level rating according to the JEDEC industry standard classifications, and peak solder temperature.

**Important Information and Disclaimer:**The information provided on this page represents TI's knowledge and belief as of the date that it is provided. TI bases its knowledge and belief on information provided by third parties, and makes no representation or warranty as to the accuracy of such information. Efforts are underway to better integrate information from third parties. TI has taken and continues to take reasonable steps to provide representative and accurate information but may not have conducted destructive testing or chemical analysis on incoming materials and chemicals. TI and TI suppliers consider certain information to be proprietary, and thus CAS numbers and other limited information may not be available for release.

In no event shall TI's liability arising out of such information exceed the total purchase price of the TI part(s) at issue in this document sold by TI to Customer on an annual basis.

**TAPE AND REEL INFORMATION**



**QUADRANT ASSIGNMENTS FOR PIN 1 ORIENTATION IN TAPE**



\*All dimensions are nominal

| Device        | Package Type | Package Drawing | Pins | SPQ  | Reel Diameter (mm) | Reel Width W1 (mm) | A0 (mm) | B0 (mm) | K0 (mm) | P1 (mm) | W (mm) | Pin1 Quadrant |
|---------------|--------------|-----------------|------|------|--------------------|--------------------|---------|---------|---------|---------|--------|---------------|
| BQ2000PWR     | TSSOP        | PW              | 8    | 2000 | 330.0              | 12.4               | 7.0     | 3.6     | 1.6     | 8.0     | 12.0   | Q1            |
| BQ2000SN-B5TR | SOIC         | D               | 8    | 2500 | 330.0              | 12.4               | 6.4     | 5.2     | 2.1     | 8.0     | 12.0   | Q1            |

**TAPE AND REEL BOX DIMENSIONS**



\*All dimensions are nominal

| Device        | Package Type | Package Drawing | Pins | SPQ  | Length (mm) | Width (mm) | Height (mm) |
|---------------|--------------|-----------------|------|------|-------------|------------|-------------|
| BQ2000PWR     | TSSOP        | PW              | 8    | 2000 | 346.0       | 346.0      | 29.0        |
| BQ2000SN-B5TR | SOIC         | D               | 8    | 2500 | 346.0       | 346.0      | 29.0        |

## IMPORTANT NOTICE

Texas Instruments Incorporated and its subsidiaries (TI) reserve the right to make corrections, modifications, enhancements, improvements, and other changes to its products and services at any time and to discontinue any product or service without notice. Customers should obtain the latest relevant information before placing orders and should verify that such information is current and complete. All products are sold subject to TI's terms and conditions of sale supplied at the time of order acknowledgment.

TI warrants performance of its hardware products to the specifications applicable at the time of sale in accordance with TI's standard warranty. Testing and other quality control techniques are used to the extent TI deems necessary to support this warranty. Except where mandated by government requirements, testing of all parameters of each product is not necessarily performed.

TI assumes no liability for applications assistance or customer product design. Customers are responsible for their products and applications using TI components. To minimize the risks associated with customer products and applications, customers should provide adequate design and operating safeguards.

TI does not warrant or represent that any license, either express or implied, is granted under any TI patent right, copyright, mask work right, or other TI intellectual property right relating to any combination, machine, or process in which TI products or services are used. Information published by TI regarding third-party products or services does not constitute a license from TI to use such products or services or a warranty or endorsement thereof. Use of such information may require a license from a third party under the patents or other intellectual property of the third party, or a license from TI under the patents or other intellectual property of TI.

Reproduction of TI information in TI data books or data sheets is permissible only if reproduction is without alteration and is accompanied by all associated warranties, conditions, limitations, and notices. Reproduction of this information with alteration is an unfair and deceptive business practice. TI is not responsible or liable for such altered documentation. Information of third parties may be subject to additional restrictions.

Resale of TI products or services with statements different from or beyond the parameters stated by TI for that product or service voids all express and any implied warranties for the associated TI product or service and is an unfair and deceptive business practice. TI is not responsible or liable for any such statements.

TI products are not authorized for use in safety-critical applications (such as life support) where a failure of the TI product would reasonably be expected to cause severe personal injury or death, unless officers of the parties have executed an agreement specifically governing such use. Buyers represent that they have all necessary expertise in the safety and regulatory ramifications of their applications, and acknowledge and agree that they are solely responsible for all legal, regulatory and safety-related requirements concerning their products and any use of TI products in such safety-critical applications, notwithstanding any applications-related information or support that may be provided by TI. Further, Buyers must fully indemnify TI and its representatives against any damages arising out of the use of TI products in such safety-critical applications.

TI products are neither designed nor intended for use in military/aerospace applications or environments unless the TI products are specifically designated by TI as military-grade or "enhanced plastic." Only products designated by TI as military-grade meet military specifications. Buyers acknowledge and agree that any such use of TI products which TI has not designated as military-grade is solely at the Buyer's risk, and that they are solely responsible for compliance with all legal and regulatory requirements in connection with such use.

TI products are neither designed nor intended for use in automotive applications or environments unless the specific TI products are designated by TI as compliant with ISO/TS 16949 requirements. Buyers acknowledge and agree that, if they use any non-designated products in automotive applications, TI will not be responsible for any failure to meet such requirements.

Following are URLs where you can obtain information on other Texas Instruments products and application solutions:

### Products

|                             |  |
|-----------------------------|--|
| Amplifiers                  | <a href="http://amplifier.ti.com">amplifier.ti.com</a>             |
| Data Converters             | <a href="http://dataconverter.ti.com">dataconverter.ti.com</a>     |
| DSP                         | <a href="http://dsp.ti.com">dsp.ti.com</a>                         |
| Clocks and Timers           | <a href="http://www.ti.com/clocks">www.ti.com/clocks</a>           |
| Interface                   | <a href="http://interface.ti.com">interface.ti.com</a>             |
| Logic                       | <a href="http://logic.ti.com">logic.ti.com</a>                     |
| Power Mgmt                  | <a href="http://power.ti.com">power.ti.com</a>                     |
| Microcontrollers            | <a href="http://microcontroller.ti.com">microcontroller.ti.com</a> |
| RFID                        | <a href="http://www.ti-rfid.com">www.ti-rfid.com</a>               |
| RF/IF and ZigBee® Solutions | <a href="http://www.ti.com/lprf">www.ti.com/lprf</a>               |

### Applications

|                    |  |
|--------------------|--|
| Audio              | <a href="http://www.ti.com/audio">www.ti.com/audio</a>                   |
| Automotive         | <a href="http://www.ti.com/automotive">www.ti.com/automotive</a>         |
| Broadband          | <a href="http://www.ti.com/broadband">www.ti.com/broadband</a>           |
| Digital Control    | <a href="http://www.ti.com/digitalcontrol">www.ti.com/digitalcontrol</a> |
| Medical            | <a href="http://www.ti.com/medical">www.ti.com/medical</a>               |
| Military           | <a href="http://www.ti.com/military">www.ti.com/military</a>             |
| Optical Networking | <a href="http://www.ti.com/opticalnetwork">www.ti.com/opticalnetwork</a> |
| Security           | <a href="http://www.ti.com/security">www.ti.com/security</a>             |
| Telephony          | <a href="http://www.ti.com/telephony">www.ti.com/telephony</a>           |
| Video & Imaging    | <a href="http://www.ti.com/video">www.ti.com/video</a>                   |
| Wireless           | <a href="http://www.ti.com/wireless">www.ti.com/wireless</a>             |

Mailing Address: Texas Instruments, Post Office Box 655303, Dallas, Texas 75265  
Copyright © 2008, Texas Instruments Incorporated